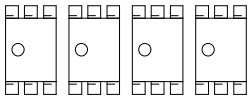
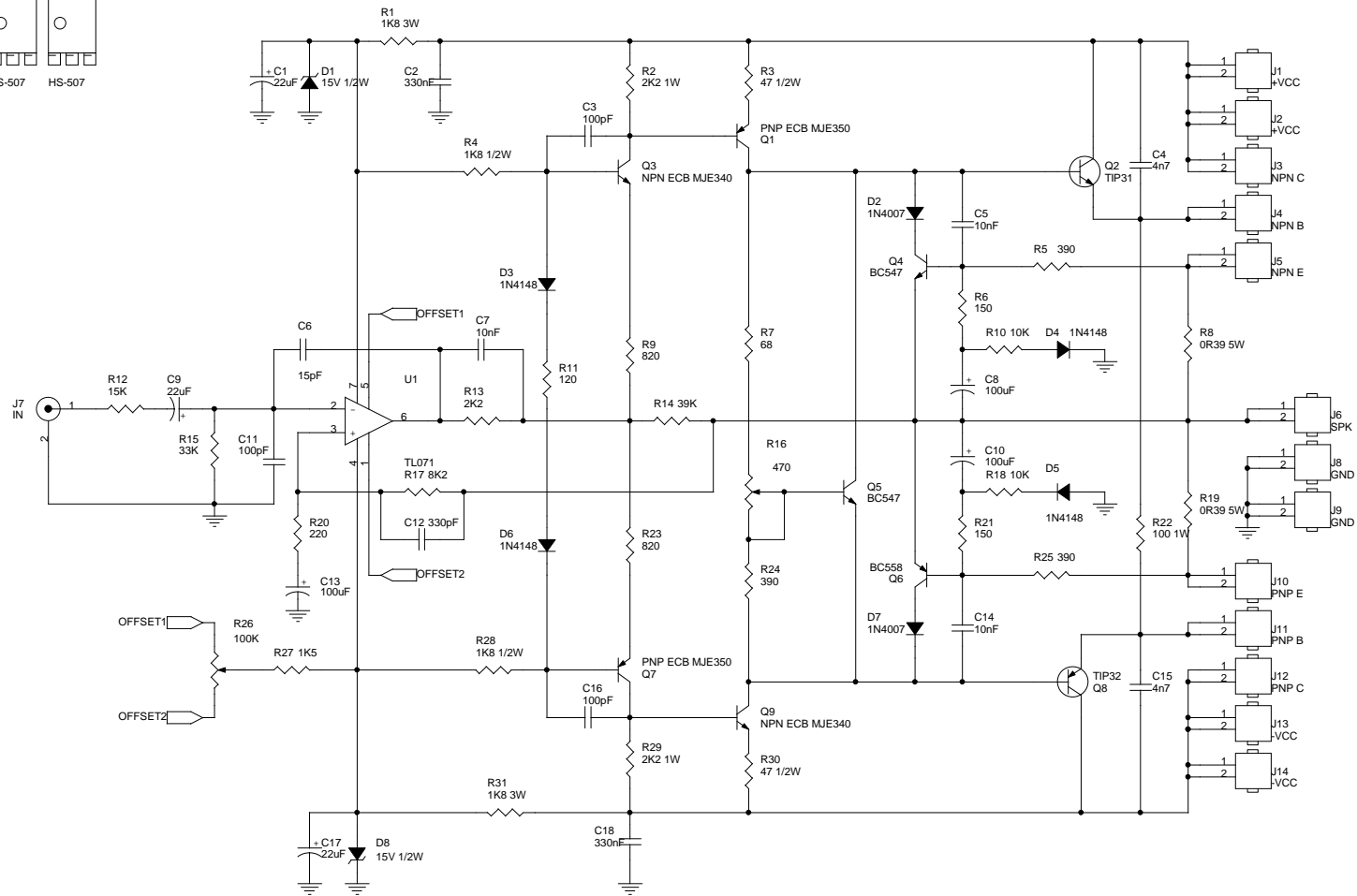


- MH1 MH2 MH3 MH4
 ○ ○ ○ ○
 M HOLE1 M HOLE1 M HOLE1 M HOLE1
- HS1 HS2 HS3 HS4

 HS-507 HS-507 HS-507 HS-507



Title		
Amplificatore 350W - Stefano Patassa - selfservice-at-aliceposta.it		
Size	Document Number	Rev
A3	1	
Date:	Tuesday, September 19, 2006	Sheet 1 of 1